

5A, 1200V SiC Merged PIN Schottky Diode

FEATURES

- AEC-Q101 qualified
- Max junction temperature 175°C
- High-speed switching possible
- High forward surge capability
- High-frequency operation
- Positive temperature coefficient on V_F
- RoHS compliant
- Halogen-free

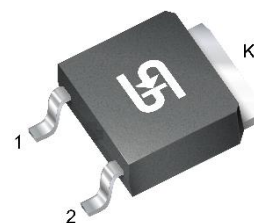
APPLICATIONS

- General purpose
- Switch mode power supplies
- Power factor correction

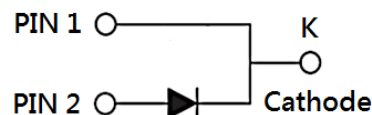
MECHANICAL DATA

- Case: TO-252-2L (D-PAK-2L)
- Molding compound meets UL 94V-0 flammability rating
- Terminal: Matte tin plated leads, solderable per J-STD-002
- Polarity: As circuit diagram
- Weight: 0.31g (approximately)

KEY PARAMETERS		
PARAMETER	VALUE	UNIT
I_F	5	A
V_{RRM}	1200	V
I_{FSM}	59	A
$T_{J\ MAX}$	175	°C
Package	TO-252-2L (D-PAK-2L)	
Configuration	Single die	



TO-252-2L (D-PAK-2L)



ABSOLUTE MAXIMUM RATINGS ($T_A = 25^\circ\text{C}$ unless otherwise noted)

PARAMETER	SYMBOL	VALUE	UNIT	
Repetitive peak reverse voltage	V_{RRM}	1200	V	
Reverse voltage, total rms value	$V_{R(RMS)}$	840	V	
Forward current	I_F	5	A	
Surge peak forward current 10ms single half sine-wave superimposed on rated load	I_{FSM}	$T_C = 25^\circ\text{C}$	59	A
		$T_C = 150^\circ\text{C}$	50	A
Non-repetitive peak forward surge current	$t_p = 10\mu\text{s}$	$I_{F, MAX}$	580	A
Junction temperature	T_J	-55 to +175	°C	
Storage temperature	T_{STG}	-55 to +175	°C	

THERMAL PERFORMANCE				
PARAMETER	SYMBOL	TYP	MAX	UNIT
Junction-to-case thermal resistance	$R_{\theta JC}$	1.40	1.68	°C/W

ELECTRICAL SPECIFICATIONS ($T_A = 25^\circ\text{C}$ unless otherwise noted)					
PARAMETER	CONDITIONS	SYMBOL	TYP	MAX	UNIT
Forward voltage ⁽¹⁾	$I_F = 2.5\text{A}, T_J = 25^\circ\text{C}$	V_F	1.15	-	V
	$I_F = 5.0\text{A}, T_J = 25^\circ\text{C}$		1.38	1.50	V
	$I_F = 2.5\text{A}, T_J = 150^\circ\text{C}$		1.28	-	V
	$I_F = 5.0\text{A}, T_J = 150^\circ\text{C}$		1.77	2.10	V
	$I_F = 2.5\text{A}, T_J = 175^\circ\text{C}$		1.33	-	V
	$I_F = 5.0\text{A}, T_J = 175^\circ\text{C}$		1.90	-	V
Reverse current @ rated V_R ⁽²⁾	$T_J = 25^\circ\text{C}$	I_R	-	30	μA
	$T_J = 150^\circ\text{C}$		-	60	μA
Junction capacitance	$f = 1\text{MHz}, V_R = 1\text{V}$	C_J	394	-	pF
	$f = 1\text{MHz}, V_R = 800\text{V}$		21	-	pF
Capacitive Charge	$V_R = 800\text{V}$	Q_C	28	-	nC

Notes:

1. Pulse test with $PW = 0.3\text{ms}$
2. Pulse test with $PW = 30\text{ms}$

ORDERING INFORMATION		
ORDERING CODE	PACKAGE	PACKING
TSCDM05120G2H	TO-252-2L (D-PAK-2L)	2,500 / 13" Tape & Reel

CHARACTERISTICS CURVES

($T_A = 25^\circ\text{C}$ unless otherwise noted)

Fig.1 Typical Forward Characteristics

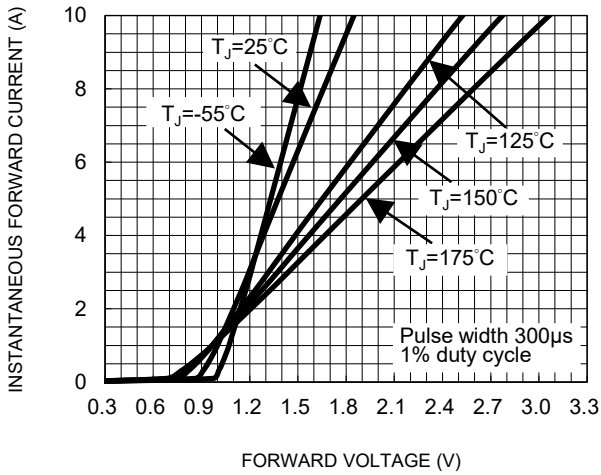


Fig.2 Typical Reverse Characteristics

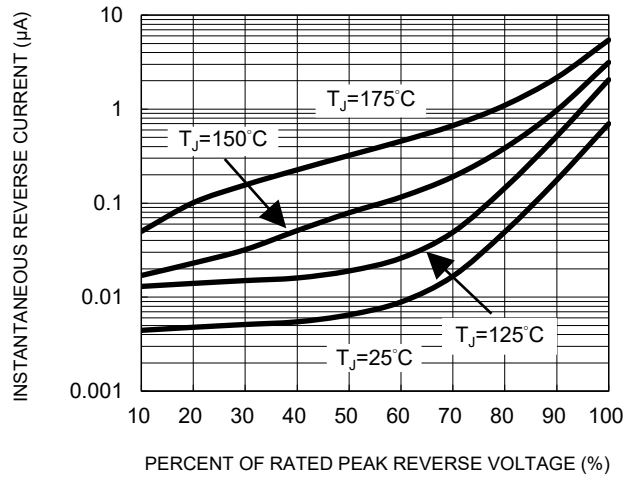


Fig.3 Peak forward current versus case temperature

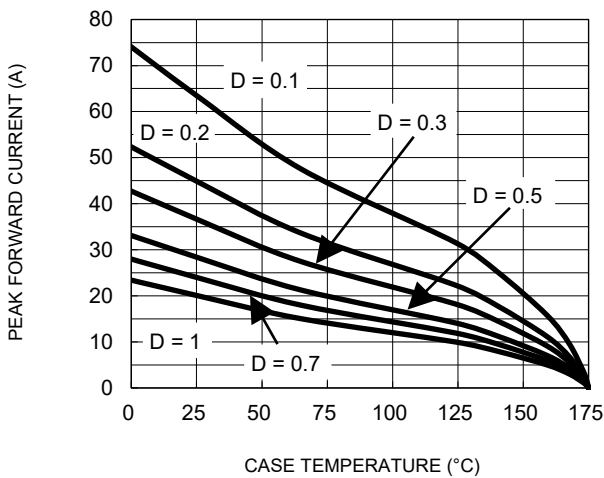


Fig.4 Typical Junction Capacitance

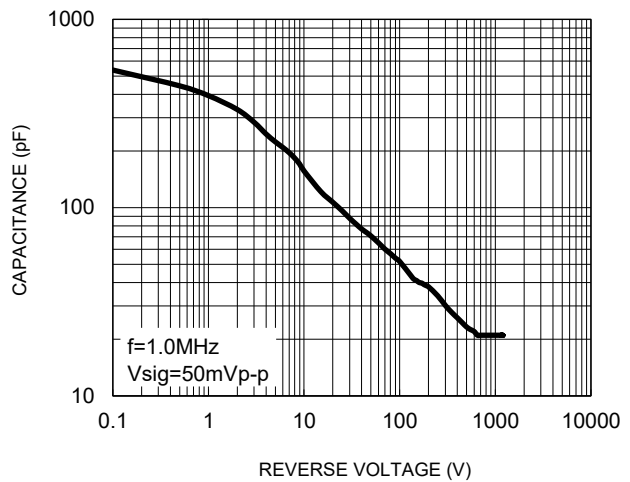


Fig.5 Typical Capacitive Charge

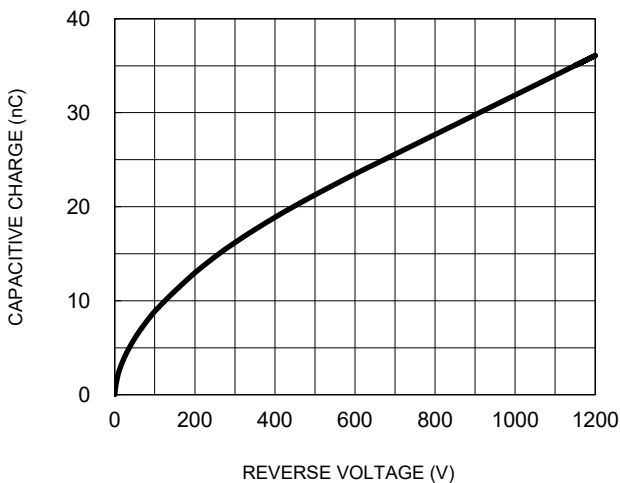
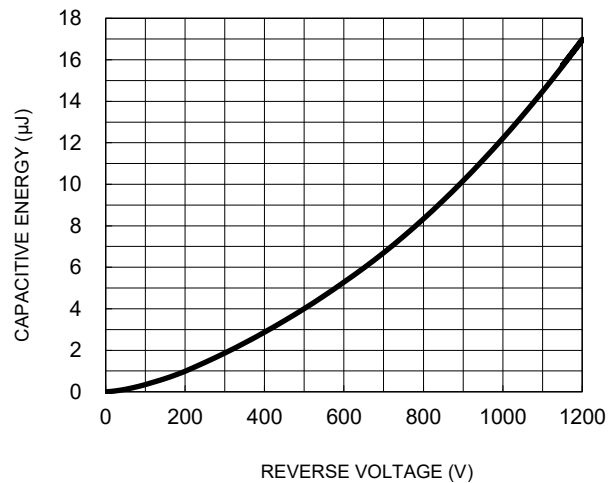


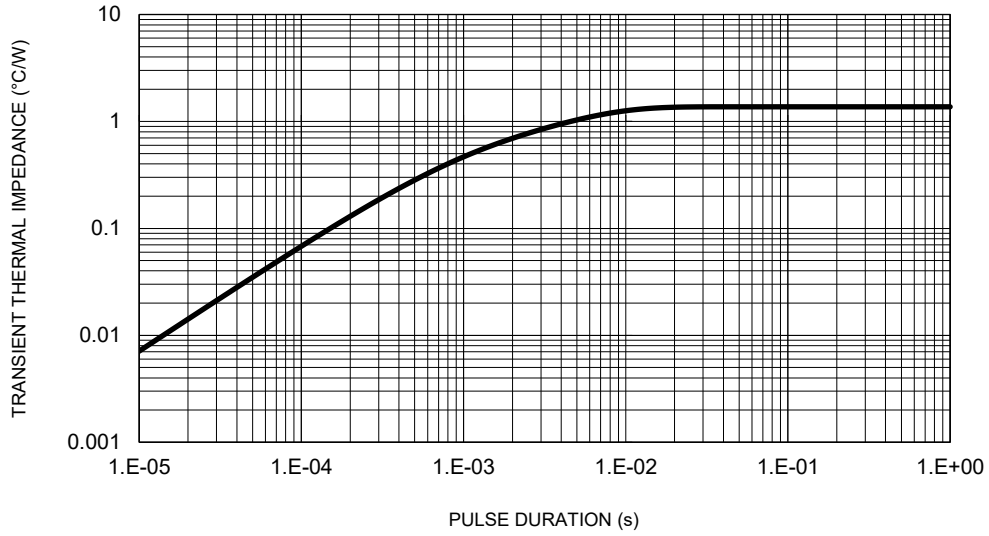
FIG.6 Typical Capacitance Stored Energy



CHARACTERISTICS CURVES

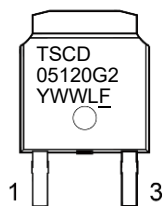
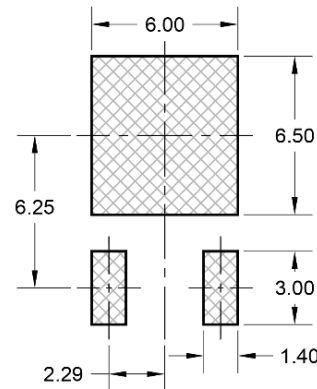
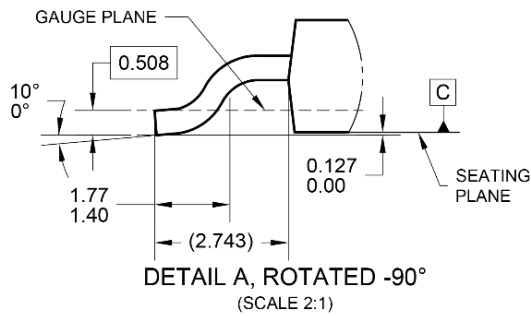
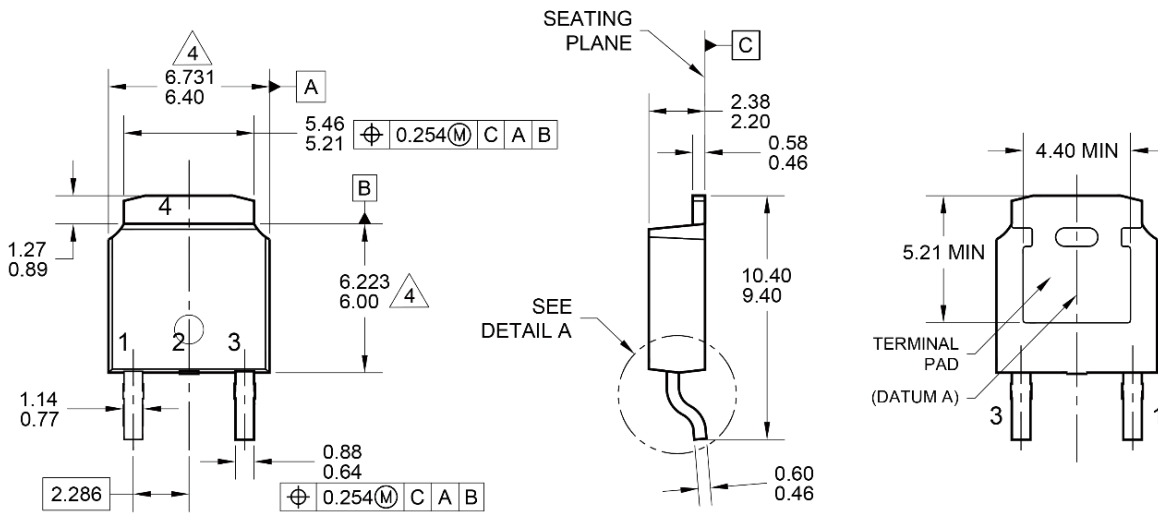
(T_A = 25°C unless otherwise noted)

Fig.7 Typical Transient Thermal Characteristics



PACKAGE OUTLINE DIMENSIONS

TO-252-2L (D-PAK-2L)



MARKING DIAGRAM

P/N = Device marking
Y = Year code
WW = Week code (01~52)
L = Lot code (1~9, A~Z)
E = Factory code

NOTES: UNLESS OTHERWISE SPECIFIED

1. ALL DIMENSIONS ARE IN MILLIMETERS.
2. DIMENSIONING AND TOLERANCING PER ASME Y14.5M-1994.
3. PACKAGE OUTLINE REFERENCE: JEDEC TO-252, VARIATION AA, ISSUE F.
4. MOLDED PLASTIC BODY DIMENSIONS DO NOT INCLUDE MOLD FLASH, PROTRUSION, OR GATE BURRS.
5. DWG NO. REF: HQ2SD07-TO252AA_2L-136 REV A.

Notice

Specifications of the products displayed herein are subject to change without notice. TSC or anyone on its behalf assumes no responsibility or liability for any errors or inaccuracies.

Purchasers are solely responsible for the choice, selection, and use of TSC products and TSC assumes no liability for application assistance or the design of Purchasers' products.

Information contained herein is intended to provide a product description only. No license, express or implied, to any intellectual property rights is granted by this document. Except as provided in TSC's terms and conditions of sale for such products, TSC assumes no liability whatsoever, and disclaims any express or implied warranty, relating to sale and/or use of TSC products including liability or warranties relating to fitness for a particular purpose, merchantability, or infringement of any patent, copyright, or other intellectual property right.

The products shown herein are not designed for use in medical, life-saving, or life-sustaining applications. Customers using or selling these products for use in such applications do so at their own risk and agree to fully indemnify TSC for any damages resulting from such improper use or sale.